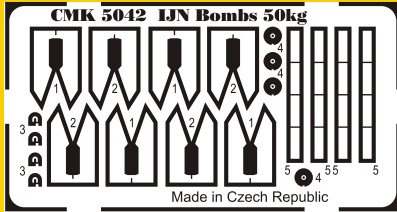


NEWS

05/2010

CMK, Mezilesí 718, 193 00, Praha 9, Czech Republic
tel.: +420 281 923 909 fax: +420 281 923 910 e-mail: cmk@mpm.cz
official website and e-shop: www. cmkkits.com



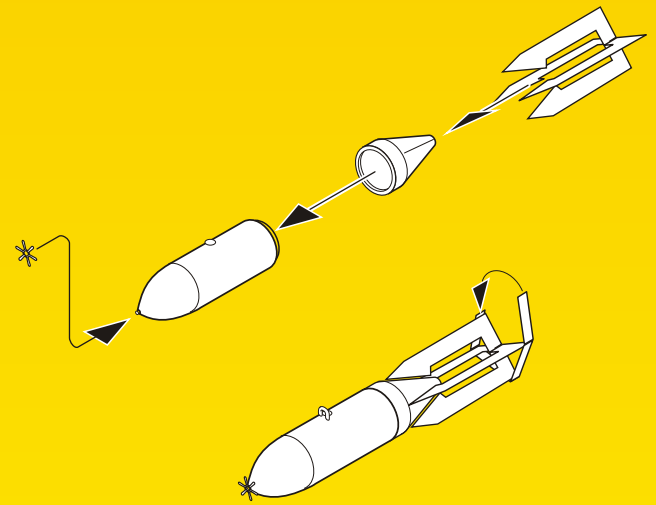
ITEM
5042

Scale
1/32

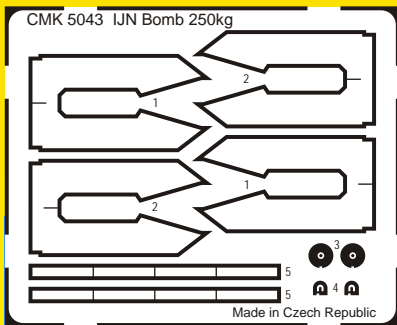
Imperial Japanese Naval Bombs 50kg (4 pcs)

Contains resin and photo-etched parts for WW II Japanese 50 kg bombs (4 pcs) used by naval aircraft. Japan, WWII

5042 1/32



Imperial Japanese Naval Bombs 50kg (4 pcs)



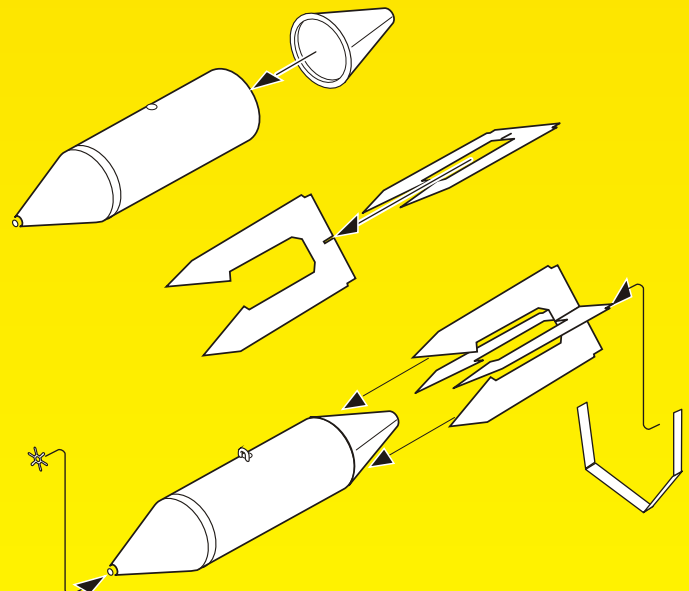
ITEM
5043

Scale
1/32

Imperial Japanese Naval Bombs 250 kg (2 pcs)

Contains resin and photo-etched parts for WW II Japanese 250 kg bombs (2 pcs) used by naval aircraft. Japan, WWII

5043 1/32



Imperial Japanese Naval Bombs 250 kg (2 pcs)

ITEM
Q32 116

**A6M2b Zero Seat 1/32
for Tamiya kit**

Scale
1/32

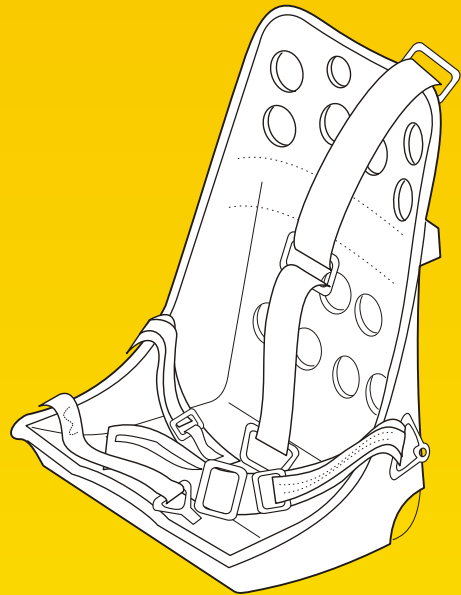
Contains pilot's seat with molded on seat harness for WW II Japanese A6M2b fighter aircraft.
Japan, WWII

Q32 116

1/32



**A6M2b Zero Seat 1/32
for Tamiya kit**



ITEM
PLT236

Jakovlev Jak-23 Flora

Scale
1/32

Full resin kit of a Soviet first generation jet aircraft. Except of the VVS Air Force it served with other Socialist Camps AFs, such as Czechoslovakia, Poland and Romania. The kit contains vacu-formed canopy, strengthened undercarriage legs and decals for one Soviet and one Czechoslovakian machines.



Jakovlev Jak-23 Flora



PLT236

1/32

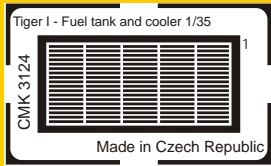
ITEM
3124

Tiger I Fuel tank and cooler (starboard) for Tamiya kit

Scale
1/35

Contains resin and photo-etched parts for starboard cooler and fuel tank located in engine compartment of WW II German tank.

Germany, WWII

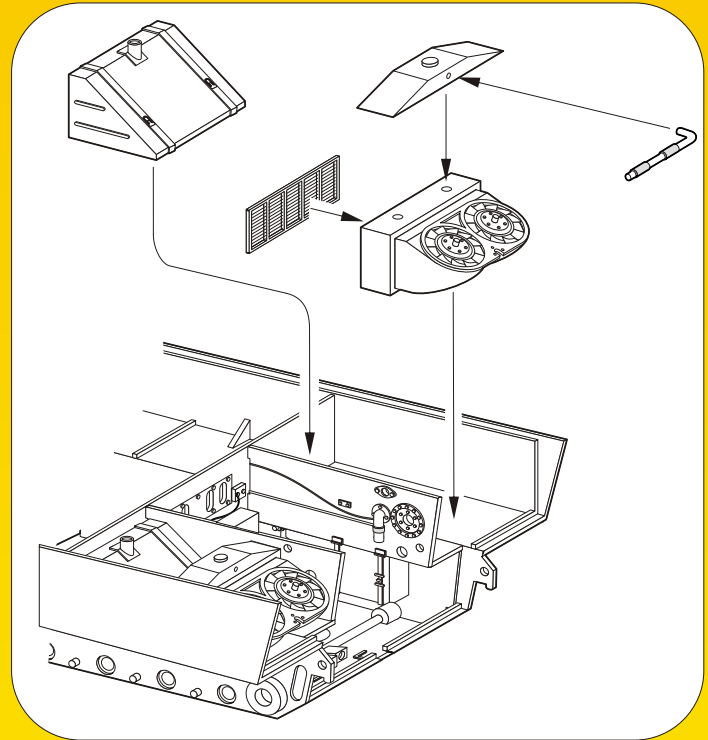


Tiger I Fuel tank and cooler (starboard) for Tamiya kit



3124

1/35



ITEM
3125

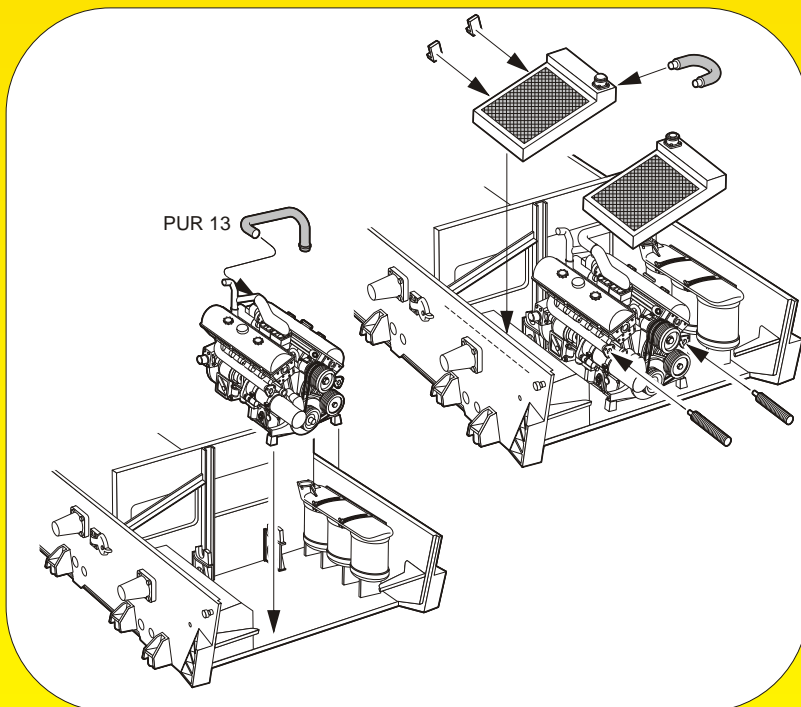
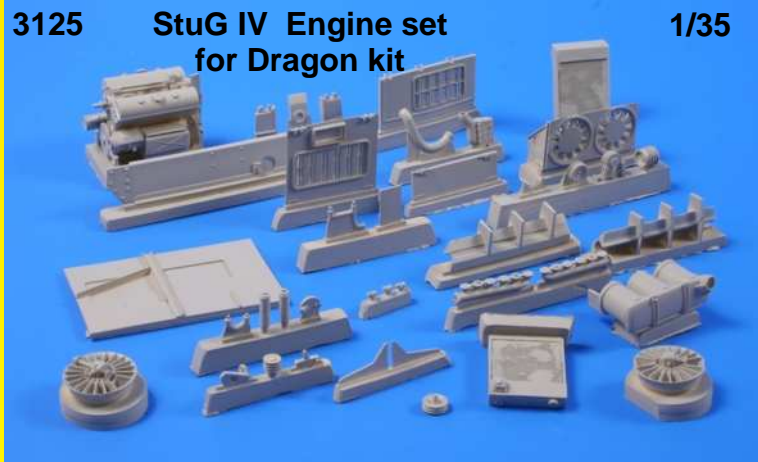
StuG IV Engine set for Dragon kit

Scale
1/35

Contains resin and photo-etched parts for entire engine compartment, including engine of WW II German self propelled howitzer.

Germany, WWII

3125 StuG IV Engine set for Dragon kit 1/35



ITEM
F35 203

Military Chaplain + Coffin & Chaplet (1 fig)

Scale
1/35

Contains resin figure of Allied (US) military chaplain, wooden coffin and chaplet from WW II.
USA, WWII

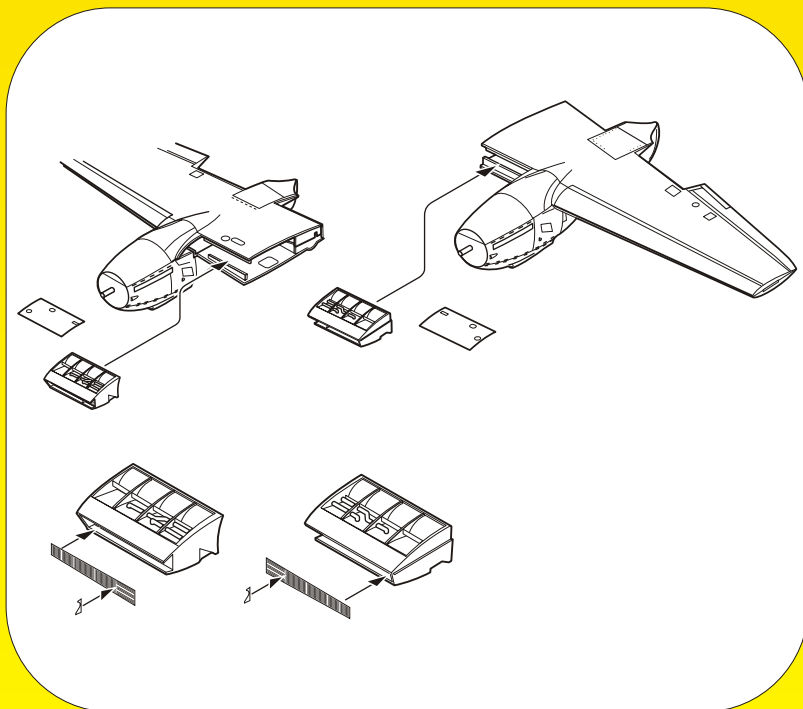
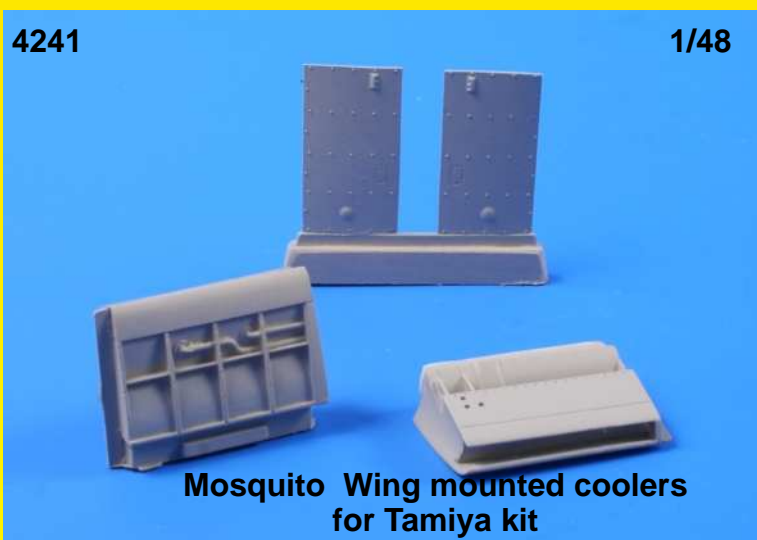
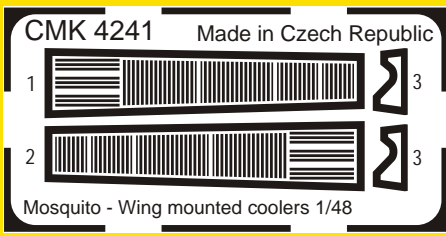


ITEM
4241

Mosquito Wing mounted coolers for Tamiya kit

Scale
1/48

Contains resin and photo-etched parts for wing mounted coolers (2 pcs + their covers) for WW 2 British aircraft.
UK, WWII

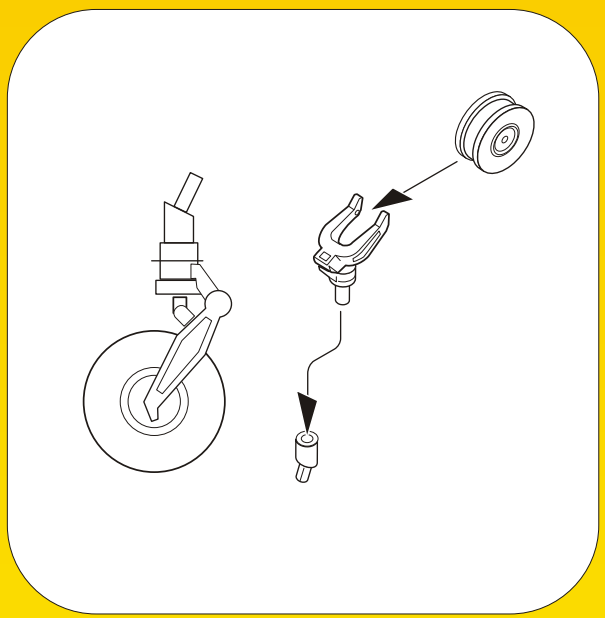


ITEM
Q48 114

**Mosquito Tail wheel strut (including wheel)
for Tamiya kit**

Scale
1/48

Contains tail undercarriage strut and wheel for WW II British aircraft.
UK, WWII



ITEM
Q48 115

**Dornier Do 335B Wheels
for Tamiya kit**

Scale
1/48

Contains main (2 pcs) and nose (1 pc) undercarriage wheels for WW II German aircraft.
Germany, WW II

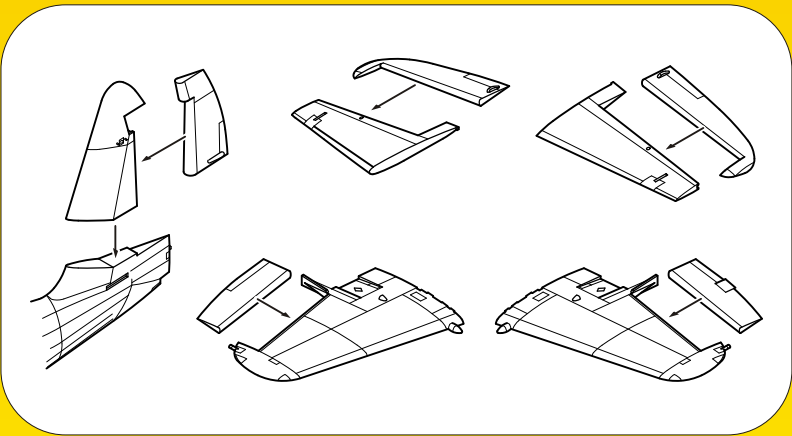
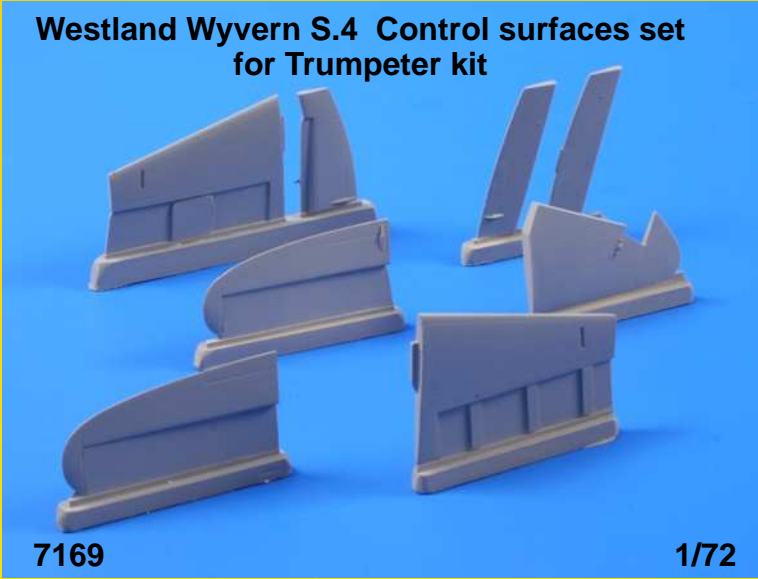


ITEM
7169

**Westland Wyvern S.4 Control surfaces set
for Trumpeter kit**

Scale
1/72

Contains resin control surfaces (ailerons, fin and rudder, horizontal stabilizers and elevators) for post war British aircraft. Great Britain, modern

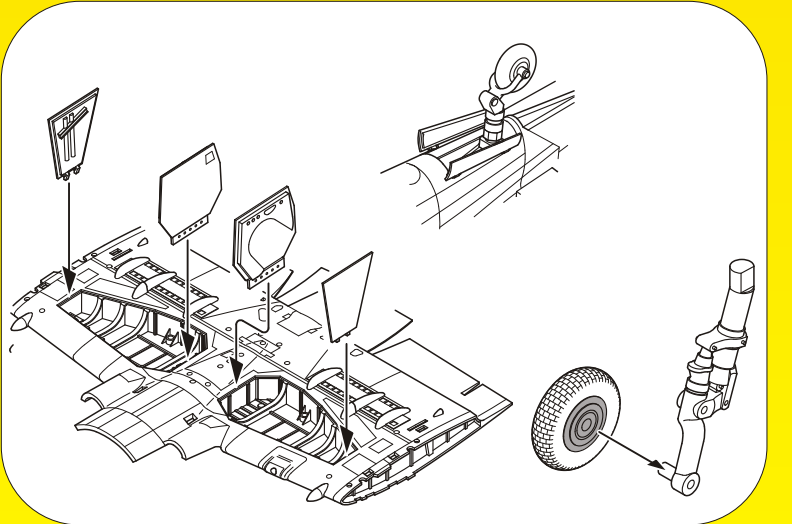


ITEM
7170

**Westland Wyvern S.4 Undercarriage set
for Trumpeter kit**

Scale
1/72

Contains resin main (2 pcs) and tail (1 pc) undercarriage bays, main (2 pcs) and tail (1 pc) wheels, including all particular doors for post war British aircraft. Great Britain, modern



This set allows building Wyvern with folded wings. It contains resin parts for folding wing mechanisms, ribs and hydraulic actuators.
Great Britain, post WWII

