

NEWS

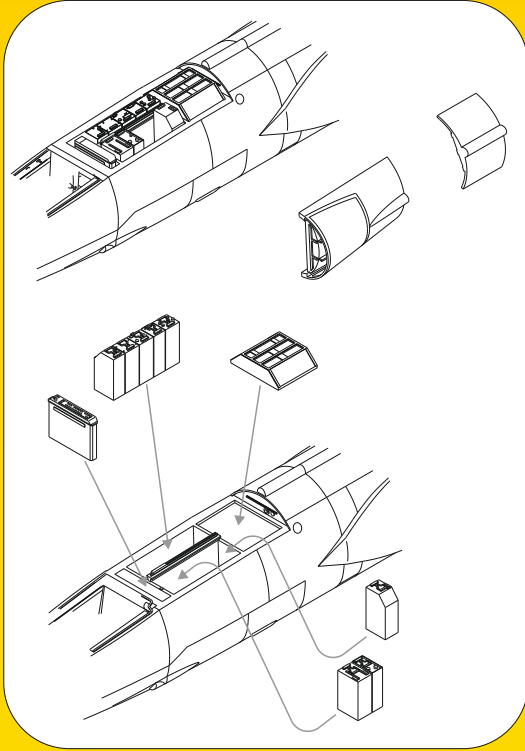
12/2011

CMK, Mezilesí 718, 193 00, Praha 9, Czech Republic
tel.: +420 281 923 909 fax: +420 281 923 910 e-mail: cmk@mpm.cz
official website and e-shop: www.cmkkits.com

ITEM
5057

F-104G Starfighter Electronics boxes (behind cockpit) set for Hasegawa

Scale
1/32

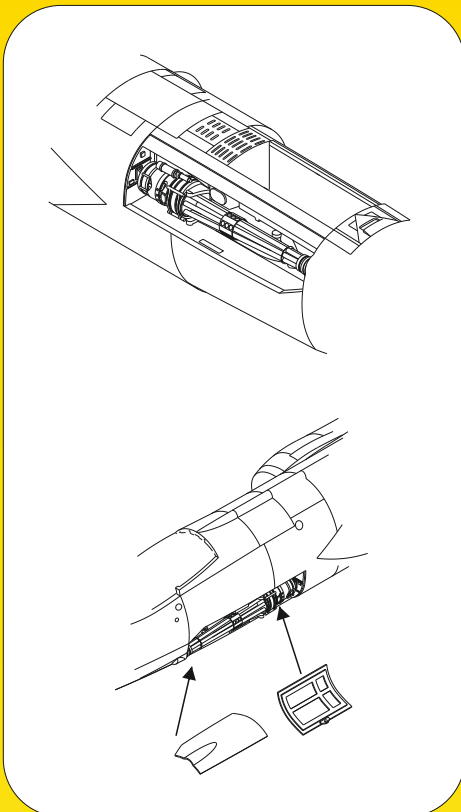


Highly detailed electronics boxes located in fuselage behind pilot's cockpit with particular cover for European license produced US jet fighter.
USA, Modern

ITEM
5058

F-104 Starfighter Gun bay for Hasegawa

Scale
1/32



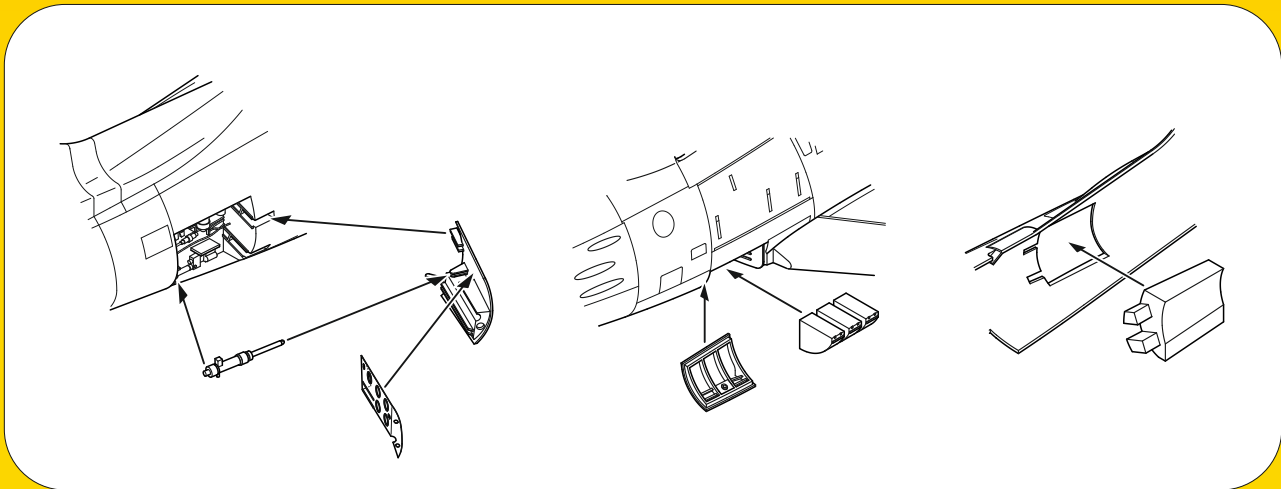
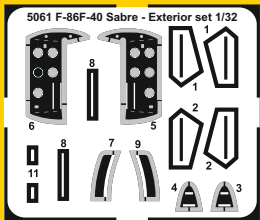
Highly detailed M-61 Vulcan cannon mounted below the nose of F-104 fighter. Set contains gun barrels, resin cannon's body and bay.
USA, Modern

ITEM
5061

F-86F-40 Sabre Exterior set for Hasegawa kit

Scale
1/32

Highly detailed new speed brakes including bays and right side ammunition bay with magazines and particular cover for US jet fighter that gained its fame during Korean War. Set includes photo-etched parts.
USA, Post WWII

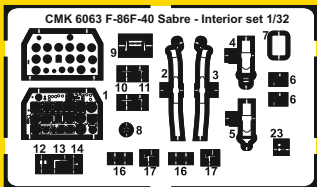


ITEM
5063

F-86F-40 Sabre Interior set for Hasegawa kit

Scale
1/32

Highly detailed cockpit including instrument panel, ejection seat, flight controls and fuselage bulkhead for US jet fighter that gained its fame during Korean War. Set includes color photo-etched parts.
USA, Post WWII

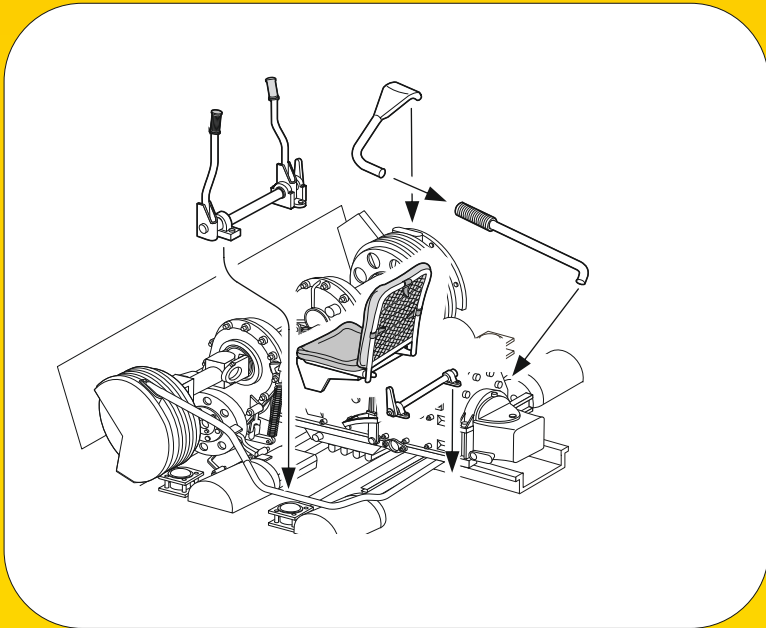


ITEM
3134

StuG III Ausf.G Driver's set for Dragon kit

Scale
1/35

Highly detailed electronics driver's compartment including transmission, radio set, steering controls and other details for German WW II assault gun based on the chassis of Pz.III. Germany, WWII

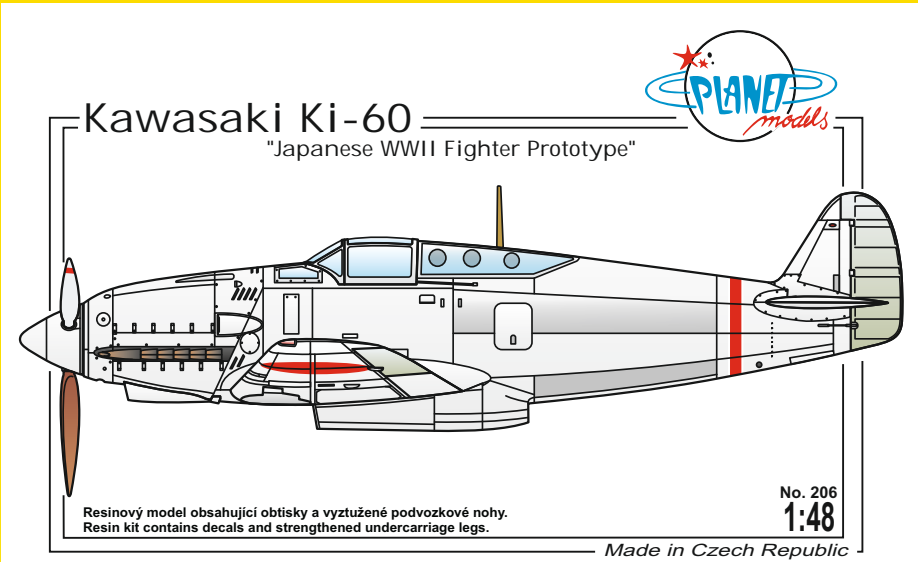
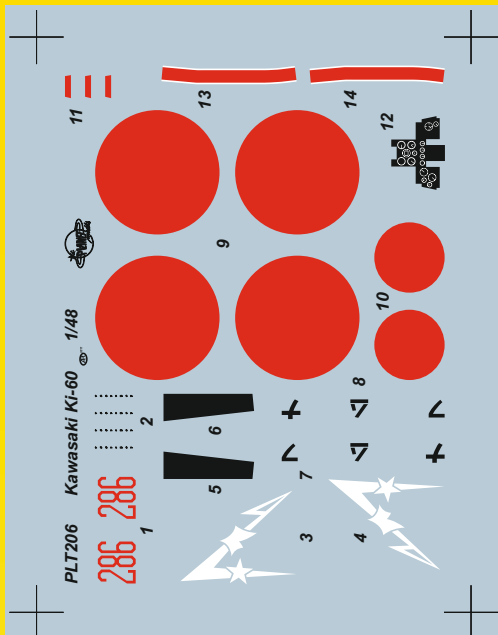


ITEM
PLT 206

Kawasaki Ki-60 full resin kit

Scale
1/48

Full resin kit of a third prototype of WW II Japanese fighter proposal. Ki-60 was built according to the Imperial Japanese Army Air Force order calling for interceptor fighter powered by Ha-40 engine (license produced DB 601). It had been tested together with Ki-61 that eventually won the competition. Decals included offer markings for the third prototype and fictive machine. The kit contains resin parts, strengthened undercarriage legs and vacu-formed canopy. Japan, WWII



Resinový model obsahující obtisky a vyztužené podvozkové nohy.
Resin kit contains decals and strengthened undercarriage legs.

No. 206
1:48

Made in Czech Republic

ITEM
7216

**WW II German bombs SC 250 kg/
Bombe mitt Kopfring (6 pcs)**

Scale
1/72

Highly detailed German WWII 250 Kg aircraft bombs (4 pcs). These were the most common weapons used by Luftwaffe bombers (He 111, Ju 87, Ju 88, Do 17, Do 217...).
Germany, WWII

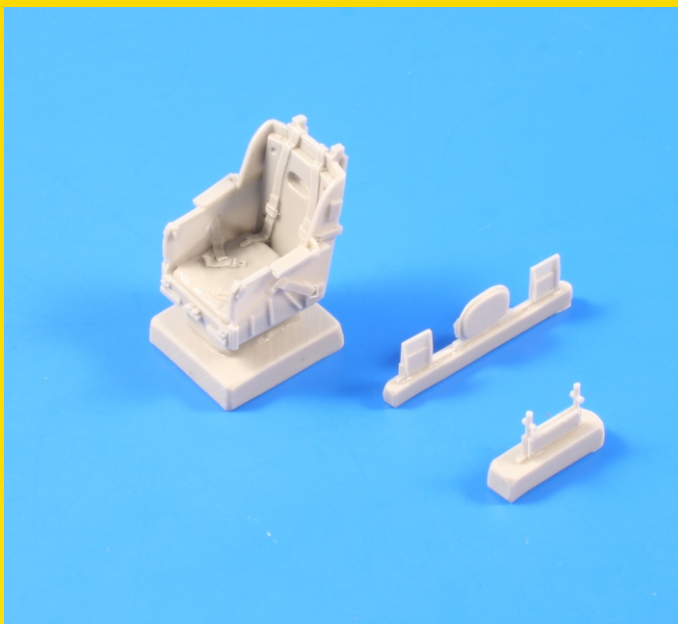


ITEM
Q32 143

**F-86F Sabre Seat w/ Harness
for Hasegawa kit**

Scale
1/32

Set contains new ejection seat including pilot's harness for US jet fighter that gained its fame during Korean War.
USA, Post WWII



Set contains new instrument panel for US jet fighter that gained its fame during Korean War. Set includes color photo-etched parts. USA, Post WWII

